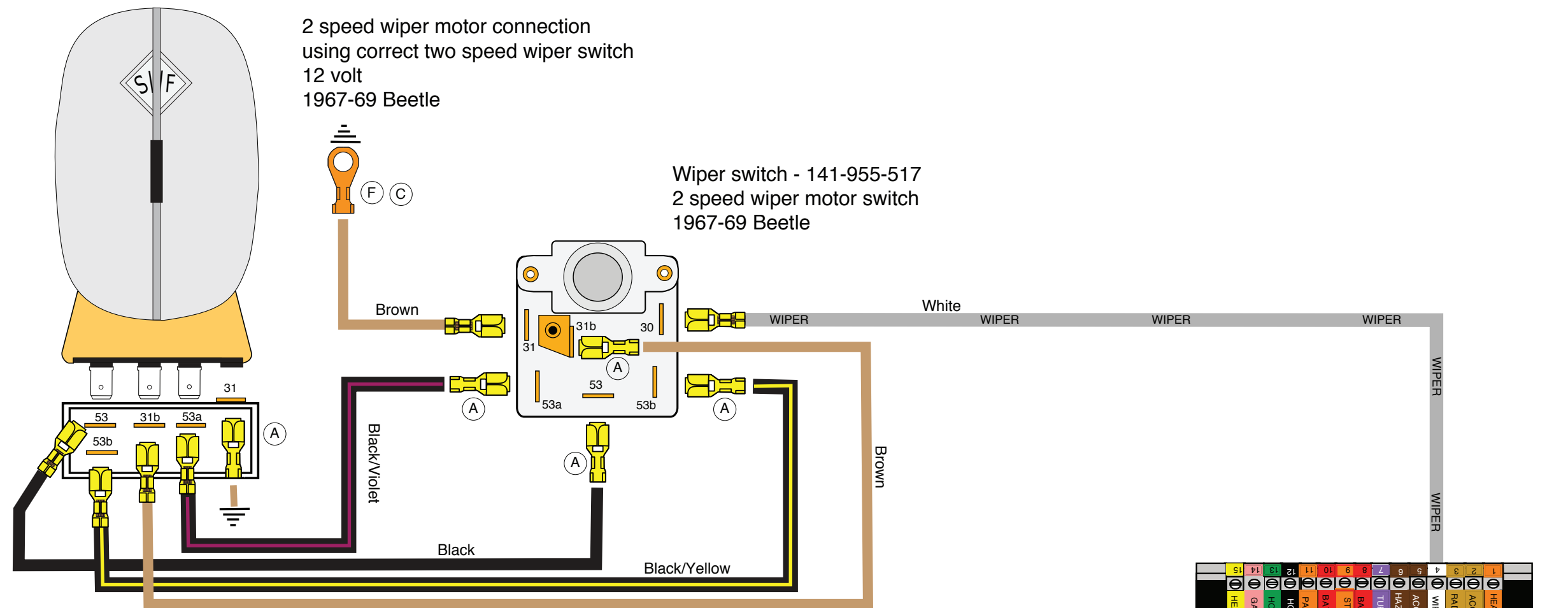


1967-1969 Beetle - Windshield Wiper Motor Connections.

(can be retro fitted to 1962-1966 vehicles as part of a 12 volt conversion)



2 speed wiper motor connection
using correct two speed wiper switch
12 volt
1967-69 Beetle

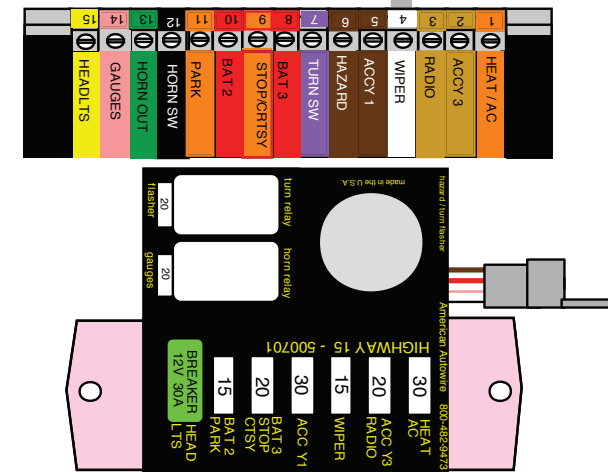
Wiper switch - 141-955-517
2 speed wiper motor switch
1967-69 Beetle

Notes:

1. This kit is designed to work with the correct combination of wiper switch and wiper motor for 1967-69 vehicles. This is a 12 volt 2 speed motor application. When performing a 12 volt conversion on 6 volt vehicles, both the motor and switch must be replaced with the 12 volt equivalent. Other combinations of switches and motors are not covered in this kit and are the responsibility of the owner/installer. American Autowire cannot provide technical assistance for these combinations. Some of this information is available on open forums, but American Autowire will not be responsible for any of these modifications. Use of these modifications will void any warranty on the kit.

2. The following connections would apply to this motor and switch combination:

switch connection	motor connection	description
30	30	POWER in from the "WIPER" connection on the fuse panel. The original stock color of this wire was black.
53a	53a	PARK position on the switch (53a) to PARK position on the wiper motor (53a).
31	31	chassis GROUND. The motor is grounded on terminal 31 through a grounding tab on the motor mount. This tab is for any extra system grounding or if the motor mount does not make a good ground.
31b	31b	INTERNAL GROUND lead from 31b terminal on the switch to terminal 31b terminal on the wiper motor.
53	53	LOW SPEED connection from the 53 terminal on the switch to the 53 LOW SPEED terminal on the motor.
53b	53b	HIGH SPEED connection from the 53b terminal on the switch to the 53b HIGH SPEED terminal on the motor..



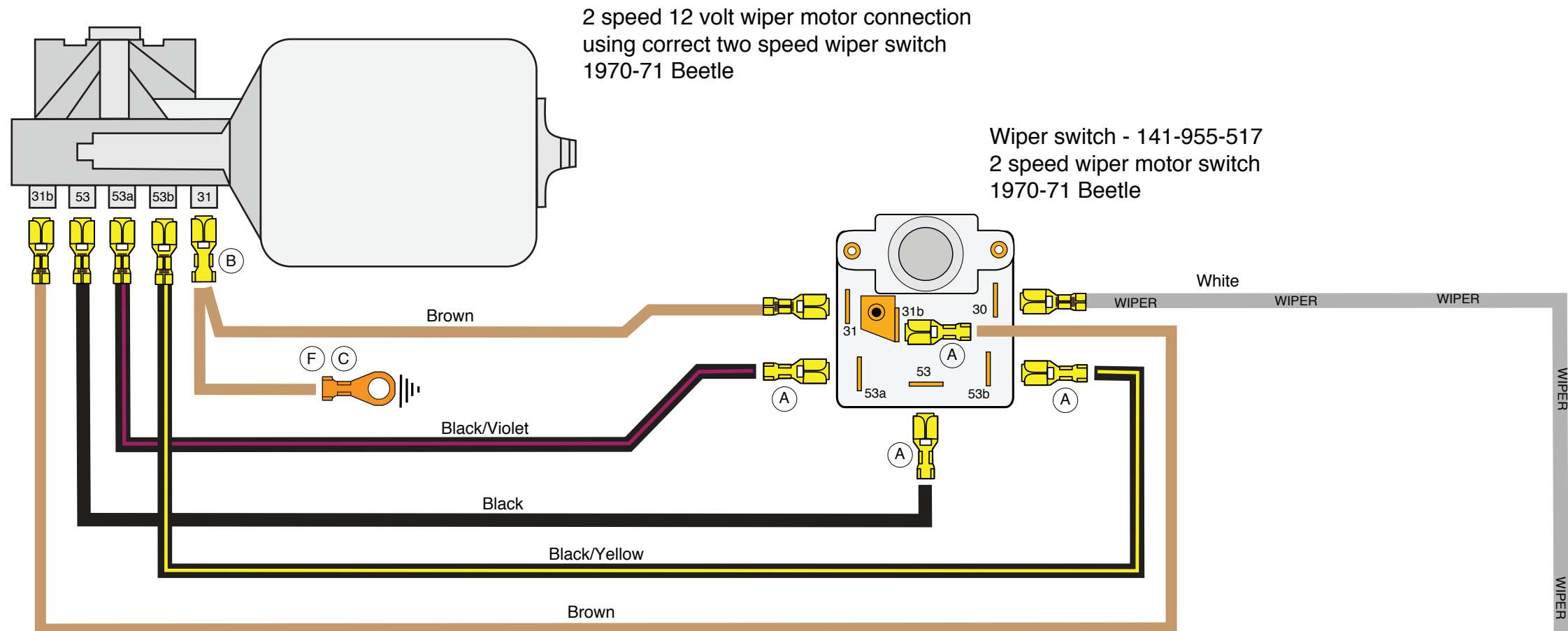
www.americanautowire.com 856-933-0801

510425

Volkswagen Wiper Motor
Wiring Kit

92971340 Rev 1.0 3/21/2016

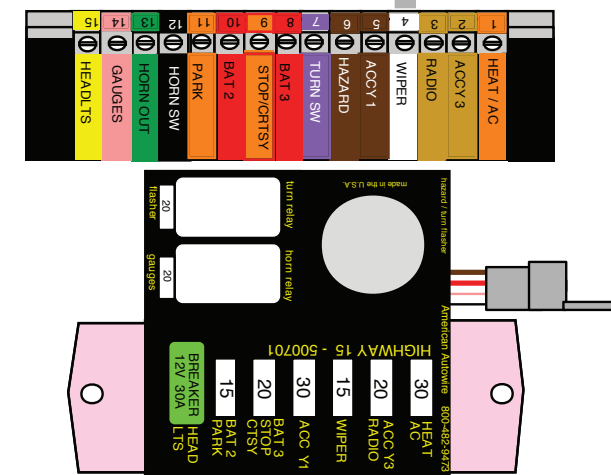
1970-1971 Beetle - Windshield Wiper Motor Connections..



Notes:

- This kit is designed to work with the correct combination of wiper switch and wiper motor for the year of the vehicle. Other combinations of switches and motors are not covered in this kit and are the responsibility of the owner/installer. American Autowire cannot provide technical assistance for switch and motor combinations that were not designed for the year of the vehicle in question. Some of this information is available on open forums, but American Autowire will not be responsible for any of these modifications. Use of these modifications will void any warranty on the kit.
- The following connections would apply to this motor and switch combination:

switch connection	motor connection	description
30	30	POWER in from the "WIPER" connection on the fuse panel. The original stock color of this wire was dark green.
53a	53a	PARK position on the switch (53a) to PARK position on the wiper motor (53a).
31	31	chassis GROUND. The motor is grounded on terminal 31 through a grounding tab on the motor mount. This tab is for any extra system grounding or if the motor mount does not make a good ground. It is a common ground with terminal 31 on the wiper switch.
31b	31b	INTERNAL GROUND lead from 31b terminal on the switch to terminal 31b terminal on the wiper motor.
53	53	LOW SPEED connection from the 53 terminal on the switch to the 53 LOW SPEED terminal on the motor.
53b	53b	HIGH SPEED connection from the 53b terminal on the switch to the 53b HIGH SPEED terminal on the motor..



www.americanautowire.com 856-933-0801

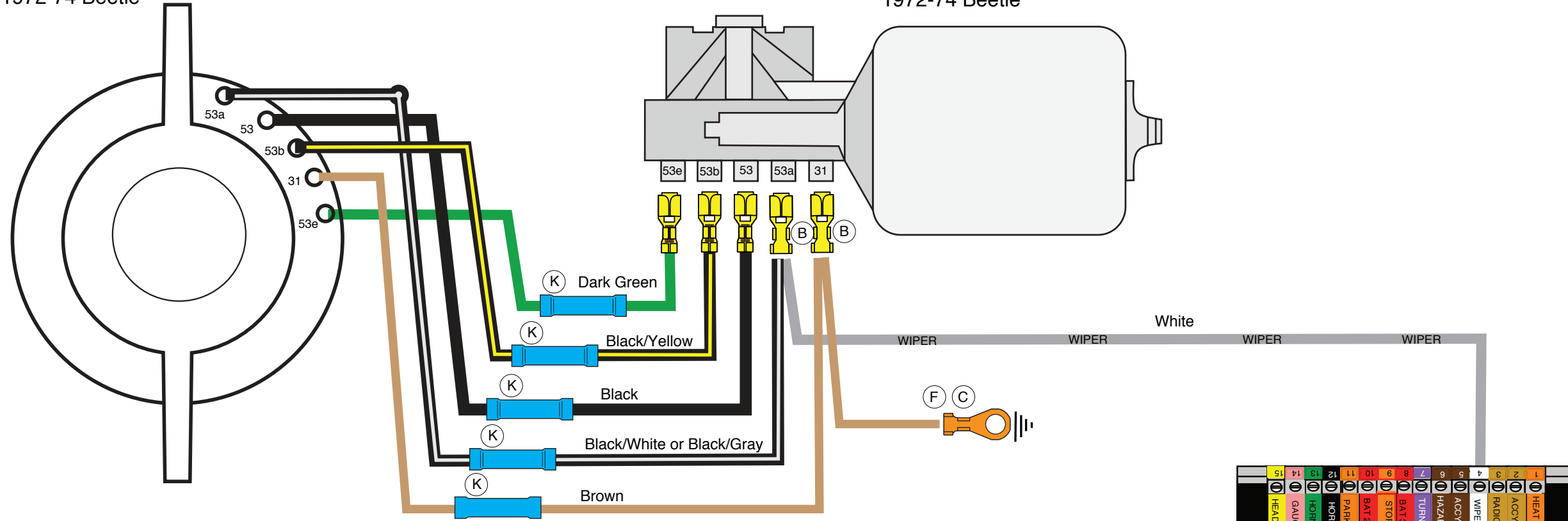
510425

Volkswagen Wiper Motor
Wiring Kit

92971340 Rev 1.0 3/21/2016

1972-1974 Beetle - Windshield Wiper Motor Connections.

2 speed wiper motor switch
mounted in steering column
1972-74 Beetle

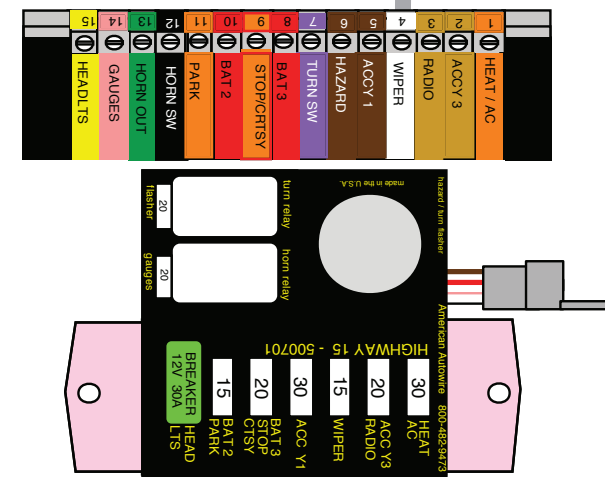


2 speed wiper motor connection
using correct two speed wiper switch
12 volt
1972-74 Beetle

Notes:

1. This kit is designed to work with the correct combination of wiper switch and wiper motor for the year of the vehicle. Other combinations of switches and motors are not covered in this kit and are the responsibility of the owner/installer. American Autowire cannot provide technical assistance for switch and motor combinations that were not designed for the year of the vehicle in question. Some of this information is available on open forums, but American Autowire will not be responsible for any of these modifications. Use of these modifications will void any warranty on the kit.
2. The wiper switch is mounted in the steering column and has pigtail wires attached directly to the switch. The motor itself may be equipped with a harness attached to the motor and ending in a connector. Splice clips are provided to facilitate the connections. You may use either terminal K or terminal H and shrink tube J to complete the connection. The original color coding on the wires is maintained whenever possible through this connector. The following connections would apply to this motor and switch combination:

switch connection	motor connection	description
53a	53a	POWER in from the "WIPER" connection on the fuse panel. The original stock color of this wire was Black/Gray.
53a	53a	This is the PARK position on the wiper motor (53a).
31	31	chassis GROUND. The motor is grounded on terminal 31. The switch and the wiper motor share a common ground.
53	53	LOW SPEED connection from the 53 terminal on the switch to the 53 LOW SPEED terminal on the motor.
53b	53b	HIGH SPEED connection from the 53b terminal on the switch to the 53b HIGH SPEED terminal on the motor.
53e	53e	Lead from 53e terminal on the switch to terminal 53e terminal on the wiper motor.



www.americanautowire.com 856-933-0801

510425

Volkswagen Wiper Motor
Wiring Kit

WIRE FUNCTION CHART

<u>VW CIRCUIT</u>	<u>AAW CIRCUIT</u>	<u>WIRE GAUGE</u>	<u>WIRE COLOR</u>	<u>WIRE PRINTING</u>	<u>CIRCUIT FUNCTION</u>
54	92	16	White	WIPER FEED	Main power from Panel connection 4 (WIPER) to the windshield wiper switch terminal "54" (1962-66)
54	54	16	Black	no printing	Power wire from wiper switch terminal "54" to wiper motor terminal "54" (1962-66)
54D	53D	16	Black / purple stripe	no printing	Low speed power wire from wiper switch terminal 54D to the wiper motor terminal 54D. (1962-66).
31	31	16	Tan	no printing	Ground lead from wiper motor terminal "31" (1967-69)
31B	31B	16	Tan	no printing	Internal ground from wiper switch terminal 31B to wiper motor terminal 31B.
30	92	16	White	WIPER FEED	Main power from Panel connection 4 (WIPER) to the windshield wiper switch terminal "30" (1967-69)
53	53	16	Black	no printing	Low speed power wire from wiper switch terminal "53" to wiper motor terminal "53" (1967-69)
53B	53B	16	Black / yellow stripe	no printing	High speed power wire from wiper switch terminal "53B" to wiper motor terminal "53B" (1967-69)
53A	53A	16	Black / purple stripe	no printing	PARK position from wiper switch terminal "53A" to PARK position on the wiper motor terminal "53A" (1967-69)
31	31	16	Tan	no printing	Ground lead from wiper motor switch terminal "31" (1967-69)
31	31	16	Tan	no printing	Ground lead from wiper motor terminal "31" (1967-69). Check for hard tab ground.
31B	31B	16	Tan	no printing	Internal ground from wiper switch terminal 31B to wiper motor terminal 31B.
30	92	16	White	WIPER FEED	Main power from Panel connection 4 (WIPER) to the windshield wiper switch terminal "30" (1970-71)
53	53	16	Black	no printing	Low speed power wire from wiper switch terminal "53" to wiper motor terminal "53" (1970-71)
53B	53B	16	Black / yellow stripe	no printing	High speed power wire from wiper switch terminal "53B" to wiper motor terminal "53B" (1970-71)
53A	53A	16	Black / purple stripe	no printing	PARK position from wiper switch terminal "53A" to wiper motor terminal "53A" (1970-71)
31	31	16	Tan	no printing	Lead wire from wiper switch terminal "31" to wiper motor terminal "31" (1970-71)
31	31	16	Tan	no printing	Ground lead from wiper motor terminal "31" (1970-71)
31B	31B	16	Tan	no printing	Internal ground from wiper switch terminal 31B to wiper motor terminal 31B.
53A	92	16	White	WIPER FEED	Main power from Panel connection 4 (WIPER) to the windshield wiper motor terminal "53A" (1972-74)
53A	53A	16	Black / white stripe	no printing	PARK position from wiper switch terminal "53A" to wiper motor terminal "53A" (1972-74)
53	53	16	Black	no printing	Low speed power wire from wiper switch terminal "53" to wiper motor terminal "53" (1972-74)
53B	53B	16	Black / yellow stripe	no printing	High speed power wire from wiper switch terminal "53B" to wiper motor terminal "53B" (1972-74)
53E	53E	16	Dark Green	no printing	Lead wire from wiper switch terminal "53E" to wiper motor terminal "53E" (1972-74)
31	31	16	Tan	no printing	Ground lead from wiper motor terminal "31" (1972-74)
					Internal ground from wiper switch terminal "31" to wiper motor terminal "31" (1972-74)

